

WINTON RIPPER & PIPE LAYER WRP SERIES



OWNERS MANUAL

PLEASE READ THIS MANUAL BEFORE OPERATING THE MACHINE

Congratulations on purchasing your new **Winton** pipe layer!

Before you get started, we have provided a helpful space to jot down a few important details about your new Winton machine.

Model Number: **WRP1**

Serial Number:

Date of purchase:

Factory Reference: **RP1**

This manual should be considered a permanent part of this machine and should remain with it even if the machine is subsequently sold.

Winton continually seeks advancements in its product design and quality. Therefore, while this manual contains the most current product information available at the time of printing, there may be minor discrepancies between your machine and this manual.

If you have any questions concerning this manual, please consult your local dealer.

First Published: March 2020

General Safety Information

Ensure all potential operators read this manual thoroughly before using the machine.

Safety: Ensure tractor and machine is stopped & keys out of ignition before set-up/maintenance.

Safety: Failure to follow good safety standards could result in severe injury or even death.

Misuse: This machine is designed for use with compact tractors, and should be used only for the indicated purpose. Winton does not take responsibility if the machine is used for any other purpose. Children must not operate the machine under any circumstance.

Modification: Do not modify equipment in any way. This may impair the operation and overall safety of the machine.

Tractor requirements: Use only with compact tractors within power range specified.

Misuse transport: Do not use machinery to transport personnel or livestock.

Condition: For the safety of personnel and optimum performance of the machine, you should check the condition of the machine and the tractor before starting. Before use check all nuts and bolts are tight.

Spatial awareness: Always check the operating area is safe before starting machinery.

Operator clothing: The operator should not wear loose clothing while operating machinery.

Safety wear: Always use appropriate ear protection when running a tractor and machinery. Ensure you are wearing protective gloves when servicing and using machinery.

Bystander safety: Ensure bystanders keep away from the machine when it is in use. Do not touch moving parts when the machine is at work.

Public places: When travelling on the road/public places, always keep the PTO turned off.

Maintenance: Always keep the machine maintained and in a good state. Where necessary, repair or replace any defective parts. Do not modify the machine.

Sharp objects: Pay attention to the sharp/pointed parts while servicing the machine.

Safety guards: All protective parts should be in good condition before operating machinery.

Safety signs/stickers: Keep all safety signs clean and legible. Replace any which are missing or illegible. If a component with safety sign/(s) is replaced, make sure new safety sign/(s) are attached in the same locations.

Operating speeds: Machinery and PTO should be operated at the recommended speed at all times.

Safety awareness: Good safety requires that you familiarise yourself with various safety signs, the type of warning and the area, or particular function related to that area.

Alertness: Never consume alcohol or drugs these can hinder alertness/coordination. Consult your doctor about using this machine while taking prescription medications.

General Safety Information (continued)

Machinery Pre-Use Checks

On receipt of your new Winton machine and again within the first 4 hours of use, or the 'shake in' period as we like to call it, we always recommend checking over the machine.

- Check all bolts, nuts and screws are tight on the unit.
- Tighten/check any bolts and nuts securing blades.
- If your machine has belts check the tension and adjust if required.
- Apply grease to grease points if necessary.
- Remove support/storage stands before operating machinery.
- Check oil levels and top up if needed.

Tractor Pre-Use Checks

Check that the machine is properly attached to the tractor. Ensure that secure pins are used on the linkage mounting pins.

Be sure to add extra weights to the front of the tractor or add wheel weights if required.

Install and secure all safety guards, doors and covers before starting.

Bystanders should leave the immediate area before connecting the drive from the tractor.

Running/Operating Checks

- Always keep the PTO output from the tractor at **540 RPM** when running machinery.
- Never use machinery at excessive speeds.

Post-Use Regular Checks

Check blades, belts and wearing parts. Be sure they are not damaged and blades swing freely in their mount. Repair or replace as required.

Clean machinery and check for/clear any entangled material which may have got stuck around any rotating parts.

Contents

	Pg.
General Safety information	1-2
1. Dimensions and Specifications	3
2. Pipe Laying Guide	4-5
3. Parts Diagram	6
4. Parts List	7
5. Depth Adjustment & Detaching the Pipe Layer	8
6. Changing & Reversing the Blade	8
7. Winton Product Warranty	9

1. DIMENSIONS & SPECIFICATIONS

Model	WRP1
Weight	45kg
Maximum Pipe Diameter	4.5cm
Recommended Tractor HP	15-35hp
Width	60cm
Depth	70cm
Height	100cm
Number Of Blades	1 (Reversible)
Blade Width	6cm
Blade Length	30cm
Blade Thickness	2cm
Linkage Size	Category 1
Lower Linkage Width	48cm

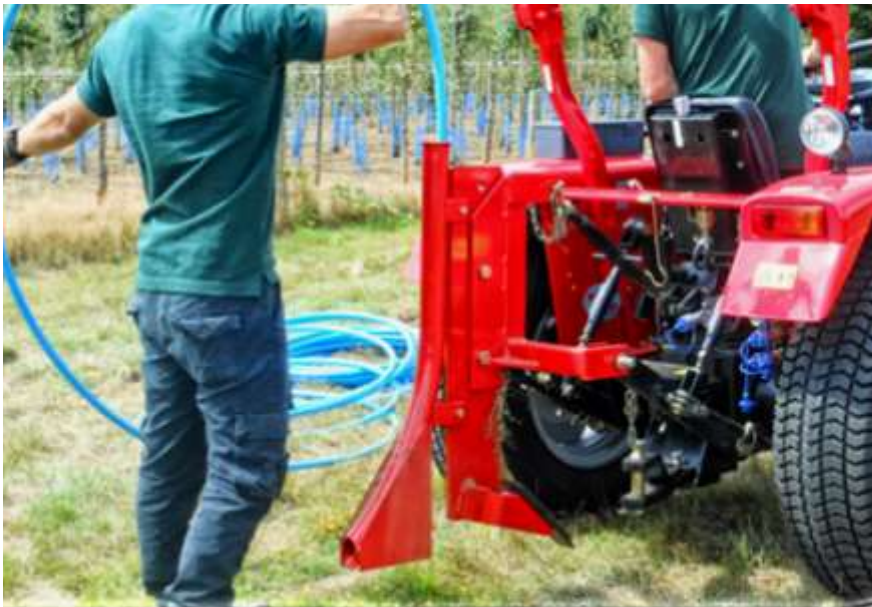
*All specifications are subject to change without notice.

2. PIPE LAYING GUIDE

Please visit our website for a video demonstration of the Ripper/Pipe Layer in action.

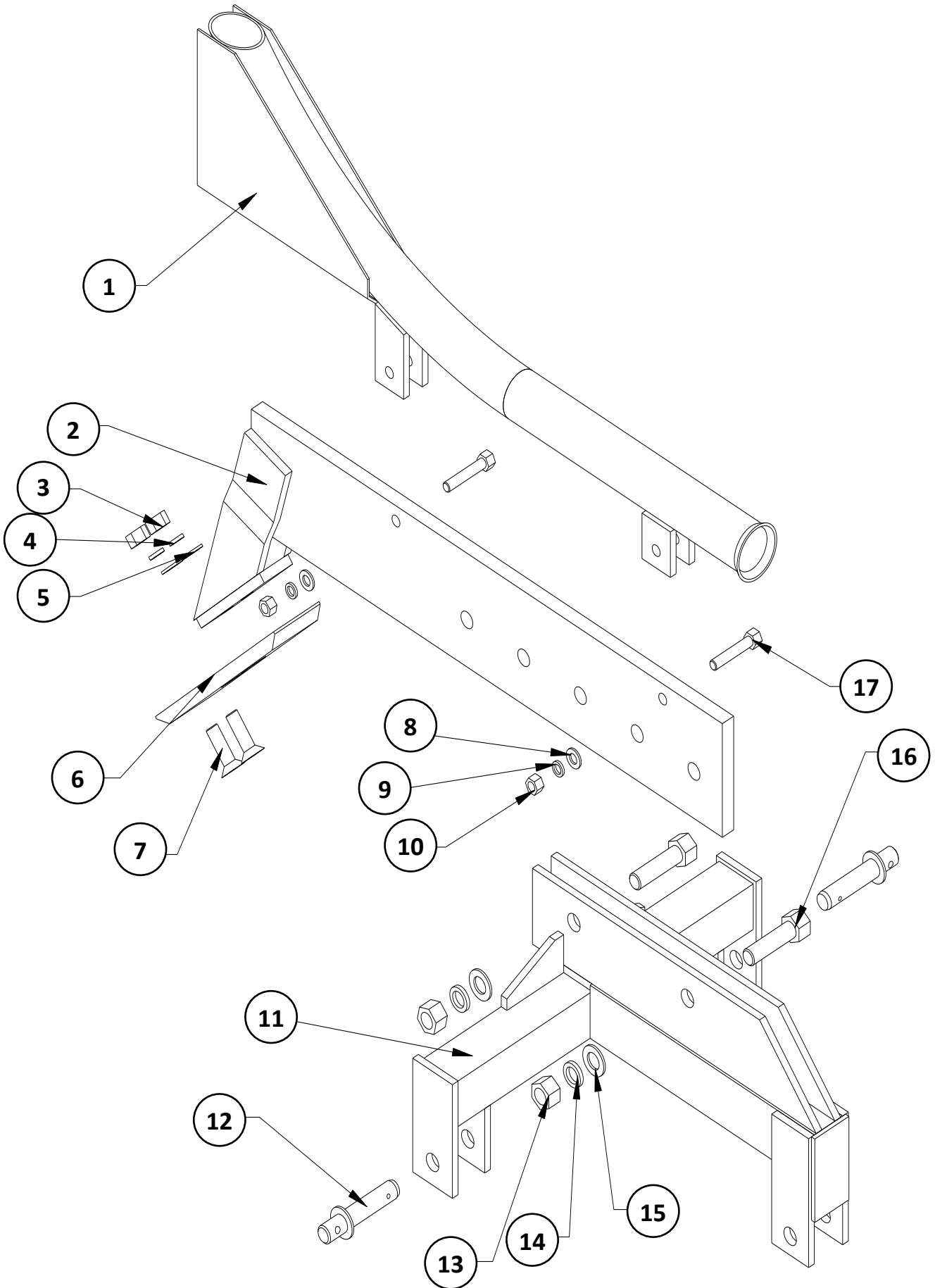
www.wintonmachinery.co.uk

1. Feed the pipe into the pipe layer
2. Lower the ripper into the ground whilst moving forward slowly
3. Move forward slowly whilst feeding the pipe
4. When finished lift the ripper & cut pipe to size
5. Run over any lumps or bumps with your tractor tyres





3. PARTS DIAGRAM



4. PARTS LIST

Dia No.	Part Number	Part Description	Qty
1	RP1.00.030	Pipe weldment section	1
2	RP1.00.020	Ripper weldment section	1
3	GB6170-M16	Nut M16	2
4	GB93-16	Lock washer 16	2
5	GB97.1-16	Plain washer 16	2
6	RP1.00.101	Cutting edge blade	1
7	GB70.3-M16x45	Bolt M16x45	2
8	GB97.1-12	Plain washer 12	2
9	GB93-12	Lock washer 12	2
10	GB6170-M12	Nut M12	2
11	RP1.00.010	A Frame weldment	1
12	RP1.00.102	Lower link pin	2
13	GB6170-M20	Nut M20	2
14	GB93-20	Lock washer 20	2
15	GB97.1-20	Plain washer 20	2
16	GB5782-M20x75	Bolt M20x75	2
17	GB5782-M12x65	Bolt M12x65	2

5. DEPTH ADJUSTMENT & DETACHING THE PIPE LAYER

Depth Adjustment

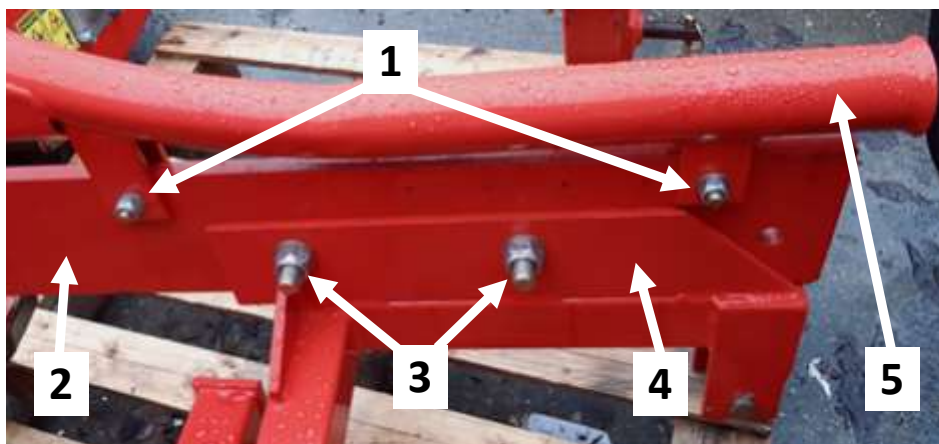
The subsoiler part of the implement has 2 sections which can be adjusted in order to reach the maximum working depth.

Remove bolts & nuts **(3)** from the subsoiler. This will detach the A frame **(4)** and ripper sections **(2)**. Move the ripper section in to position and align the holes. Replace the bolts & nuts **(3)**.

Detaching the Pipe Layer Attachment

The pipe laying tool can also be removed to use as a stand alone ripper/subsoiler.

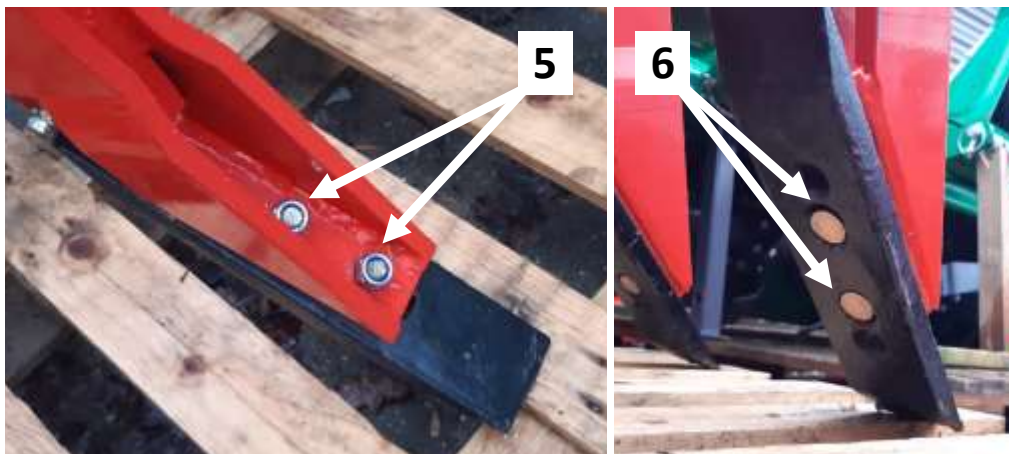
Start by removing bolts & nuts **(1)**. Then move the ripper frame **(2)** and pipe layer section **(5)** in to position and align the holes. Replace the bolts & nuts **(1)**.



6. CHANGING & REVERSING THE BLADE

The blade should be reversed or replaced when worn down to ensure the ripper is working as efficiently as possible.

Remove the securing blade nuts **(5)** & bolts **(6)** and remove the blade. Rotate the blade or, if the blade is very worn or worn on both sides, replace with a new blade. Replace and tighten blade nuts **(5)** & bolts **(6)**.



7. WINTON PRODUCT WARRANTY

We always strive to create great products, but when something does go wrong we have a strong network of resellers on hand throughout the UK to help out.

Warranty Claims

Before you get in touch here are 5 pieces of information your Winton reseller will need to progress your claim:

- Your invoice/order details - to include date of purchase
- Machine model number
- Machine serial number
- Details of the fault
- Images/videos of the fault

The Terms & Conditions

All products purchased as new are covered under our 12 month warranty from the date of purchase. During this period Winton will repair or replace defective parts free of charge. This warranty is given on the proviso that the product has been used and maintained according to the Owner's Manual.

Warranty is carried out on a return to reseller / manufacturer basis and excludes any labour or delivery / collection costs.

Exclusions

- Wearing parts are excluded; including but not limited to blades, belts and bearings.
- Modification of the product in any way will cease the manufacturers warranty.
- The machine is warranted for one year to the original purchaser, resale within the period will cease the warranty.
- Damage in transit is not covered. Claims will need to be made through the courier or your Winton reseller directly.
- Compensation for down-time, labour or loss of earnings is not covered by the warranty.
- No warranty extension will be granted for replacement parts fitted.
- Damage caused by continued use of a faulty machine will not be covered.

Your **Winton** reseller will provide their own terms and conditions upon purchase, consult this for any additional queries.



W Winton

www.wintonmachinery.co.uk